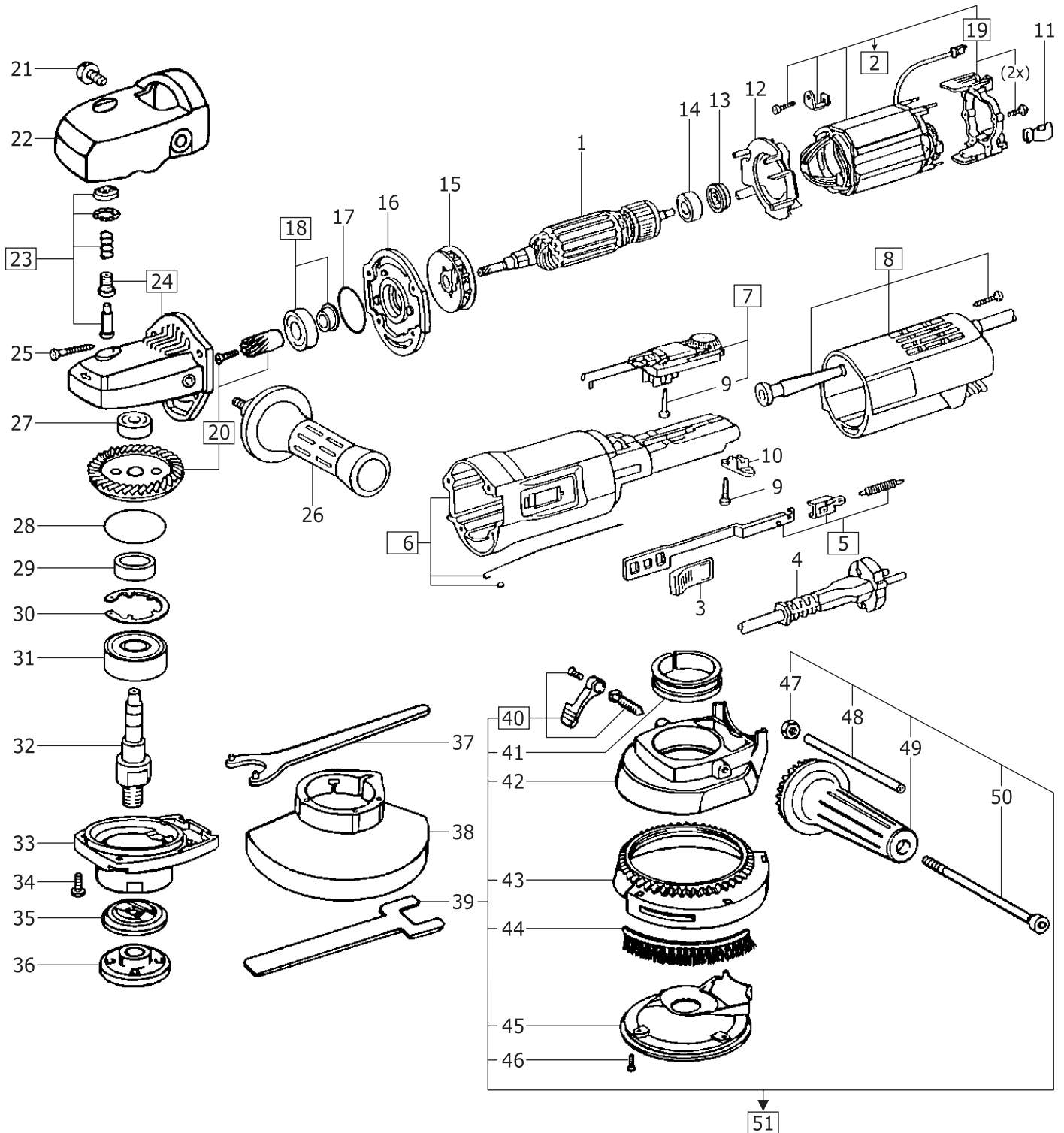


Bitte B.Nr. bei Ersatzteilbestellungen angeben!  
Please give B.Nr. when ordering spare pieces!



Gültig für B.Nr. / Valid for B.Nr.:  
490 002 (230 V)



| Pos. Item | Best-Nr./Symbol Order/Symbols | St. Qty. | Pos. Item | Best-Nr./Symbol Order/Symbols | St. Qty. | Pos. Item | Best-Nr./Symbol Order/Symbols | St. Qty. | Pos. Item | Best-Nr./Symbol Order/Symbols | St. Qty. | Pos. Item | Best-Nr./Symbol Order/Symbols | St. Qty. | Pos. Item | Best-Nr./Symbol Order/Symbols | St. Qty. |
|-----------|-------------------------------|----------|-----------|-------------------------------|----------|-----------|-------------------------------|----------|-----------|-------------------------------|----------|-----------|-------------------------------|----------|-----------|-------------------------------|----------|
| 1         | 492197 (230V)                 | 1        | 8         | 487674 (230V)                 | 1        | 18        | 441155                        | 1        | 28        | 228705 O-Ring 58 x 1          | 1        | 38        | 484753                        | 1        | 47        | 400371 M8 DIN 439             | 1        |
| 2         | 487791 (230V)                 | 1        | 9         | 228663                        | 3        | 19        | 488269                        | 1        | 29        | 446643                        | 1        | 39        | 440060                        | 1        | 48        | 441278                        | 1        |
| 3         | 446002                        | 1        | 10        | 439662                        | 1        | 20        | 487796                        | 1        | 30        | 228721 JK 42 x 1,75 DIN       | 1        | 40        | 487798                        | 1        | 49        | 441282                        | 1        |
| 4         | 457410 DIN-H05 RN-F           | 1        | 11        | 487742 (230V)                 | 1        | 21        | 435103                        | 1        | 31        | 400059 6302 2 RS DIN          | 1        | 41        | 441106                        | 1        | 50        | 441279                        | 1        |
| 4         | 434005 (CH)                   | 1        | 12        | 442901 (230V)                 | 1        | 22        | 446384                        | 1        | 32        | 444349                        | 1        | 42        | 441105                        | 1        | 51        | 489803                        | 1        |
| 4         | 439381 (AUS)                  | 1        | 13        | 444018                        | 1        | 23        | 487795                        | 1        | 33        | 442226                        | 1        | 43        | 440044                        | 1        |           |                               |          |
| 4         | 441750 (GB240V)               | 1        | 14        | 228672 626 2 RS DIN 625       | 1        | 24        | 487797                        | 1        | 34        | 228582                        | 4        | 44        | 484727 Poly                   | 1        |           |                               |          |
| 5         | 487794                        | 1        | 15        | 485108                        | 1        | 25        | 400233                        | 4        | 35        | 441037                        | 1        | 44        | 484728 Metall                 | 1        |           |                               |          |
| 6         | 487792                        | 1        | 16        | 440271                        | 1        | 26        | 487865                        | 1        | 36        | 440455                        | 1        | 45        | 441103                        | 1        |           |                               |          |
| 7         | 487751 (230V)                 | 1        | 17        | 225368                        | 1        | 27        | 228715 608 DIN 625            | 1        | 37        | 411717                        | 1        | 46        | 228697 AM 3 x 10 DIN966       | 3        |           |                               |          |